

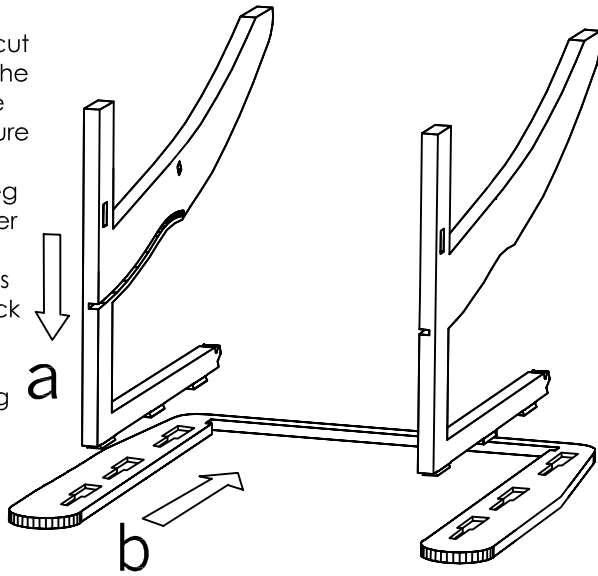
Adirondack Chair Assembly

Questions Contact
419-678-3300 or
sales@polyconceptsllc.com

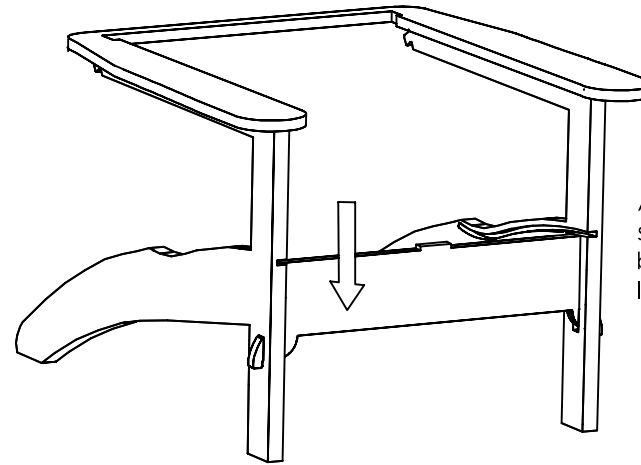
- Package Contents
- * 2 legs
 - * 1 support braces
 - * 1 seat
 - * 1 back
 - * 1 arm

Step #1

Insert tops of legs into the cut out tracks in the bottom of the arm. Make sure the dovetail track in the leg is to the center of the chair. When the legs are in the track lock them to the arm by driving the leg back.



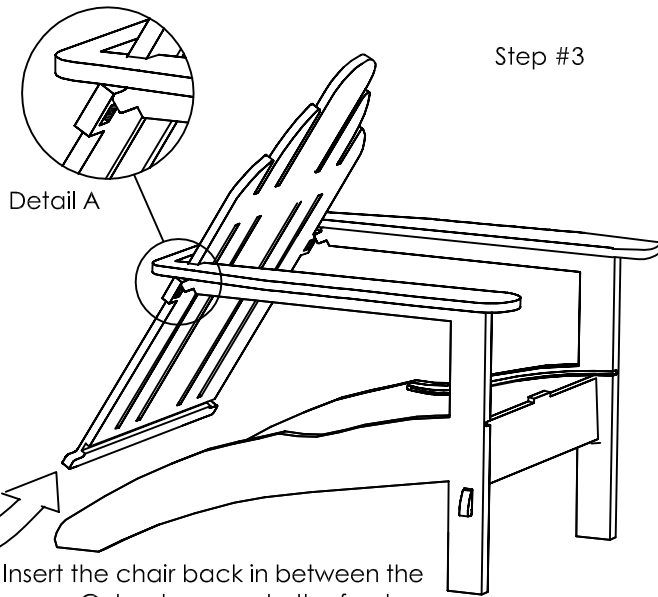
Step #2



Attach the support brace between the 2 legs.

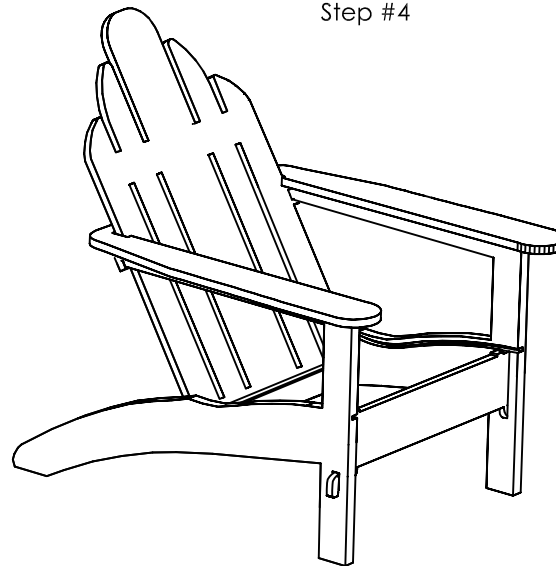
CAUTION: Do NOT place arms on a surface that is not protected. It can be scratched if it is not protected!!

Step #3

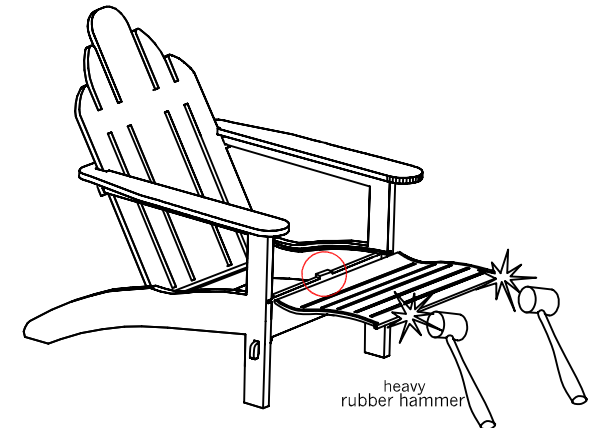


Insert the chair back in between the arms. Cut out groove to the front. Rotate the back to hook the holes onto the tabs on the back of the leg. See detail A. The tabs at the bottom of the back will pop into the holes on the inside of the back leg.

Step #4



Step #5



Insert seat into dovetail tracks in the side of the legs. Lift each slat of seat over locking tab (circle) as seat is driven in.