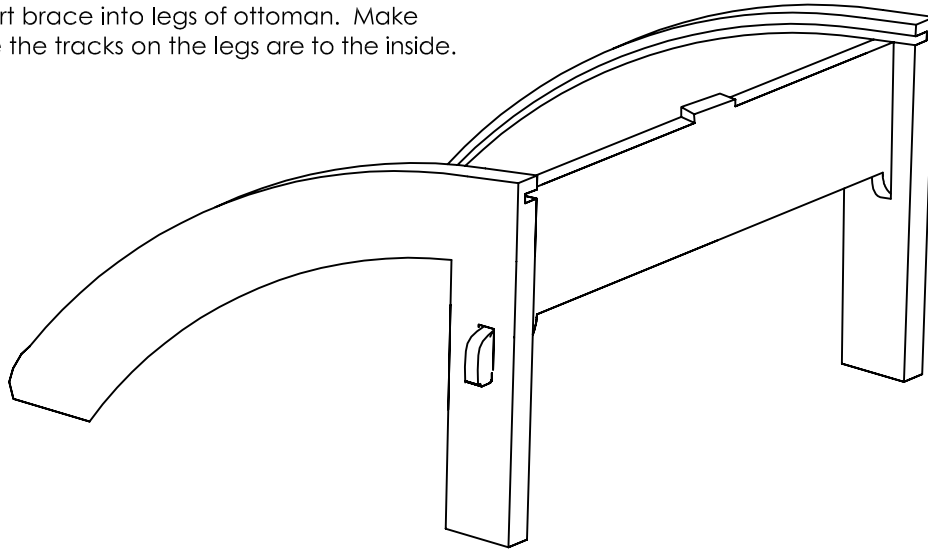
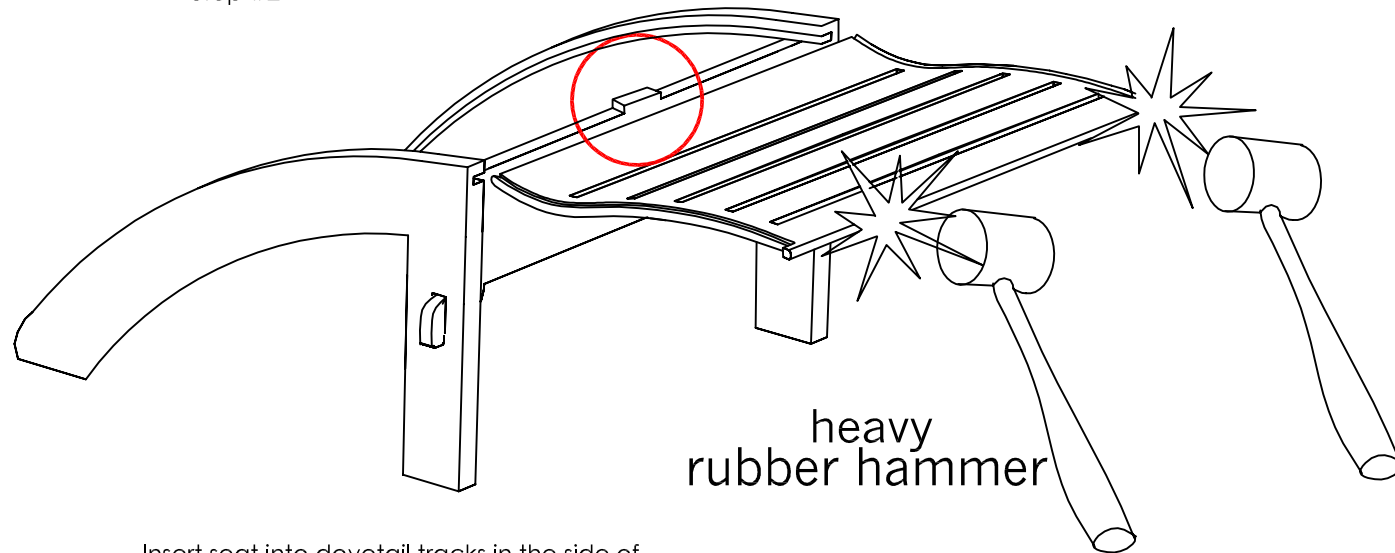


Step #1

Insert brace into legs of ottoman. Make sure the tracks on the legs are to the inside.



Step #2



Insert seat into dovetail tracks in the side of the legs. Lift each slat of seat over locking tab (circle) as seat is driven in.

PolyConcepts
LLC

**Adirondack
Ottoman**

Questions Contact
419-678-3300 or
sales@polyconceptsllc.com

Package Contents

- * 1 Seat
- * 2 Legs
- * 1 brace