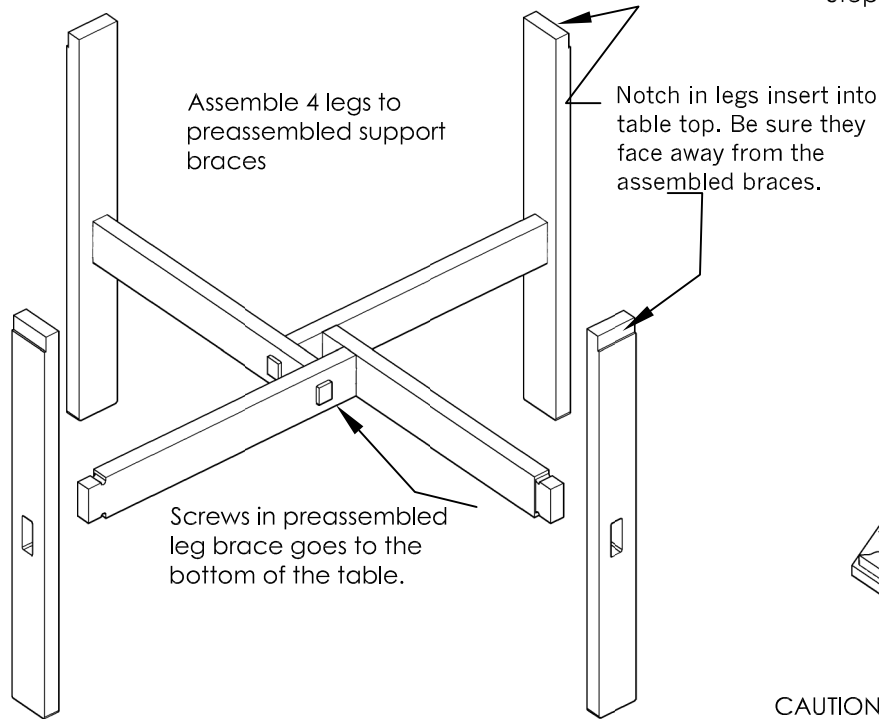
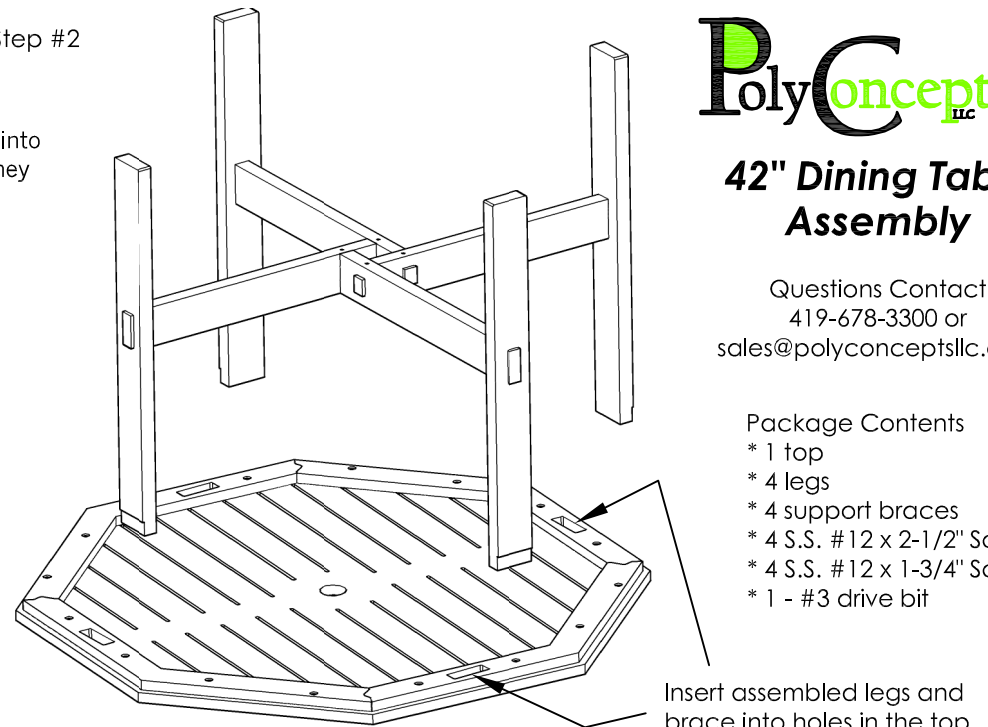


Step #1



Step #2



CAUTION: Do NOT place table top on a surface that is not protected. It can be scratched if it is not protected!!



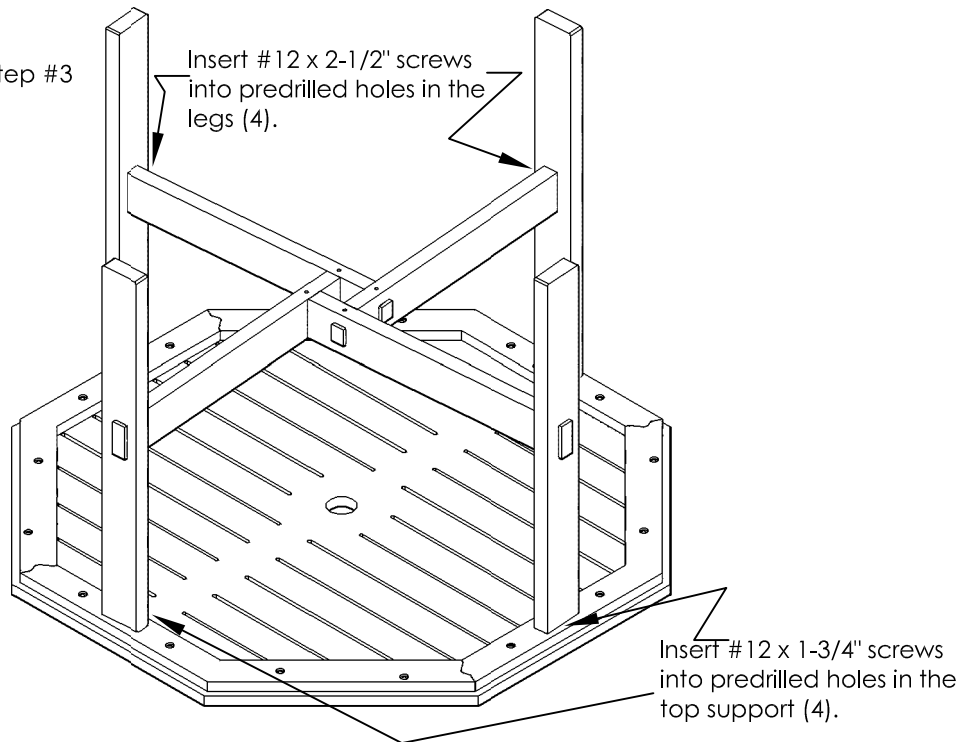
## 42" Dining Table Assembly

Questions Contact  
419-678-3300 or  
sales@polyconceptsllc.com

### Package Contents

- \* 1 top
- \* 4 legs
- \* 4 support braces
- \* 4 S.S. #12 x 2-1/2" Screws
- \* 4 S.S. #12 x 1-3/4" Screws
- \* 1 - #3 drive bit

Step #3



Step #4

