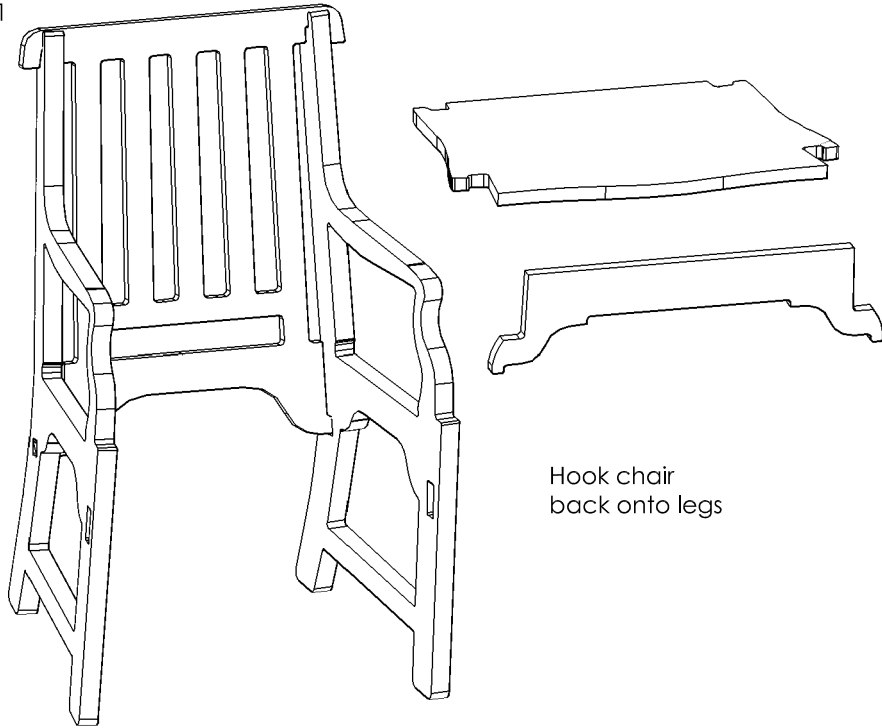
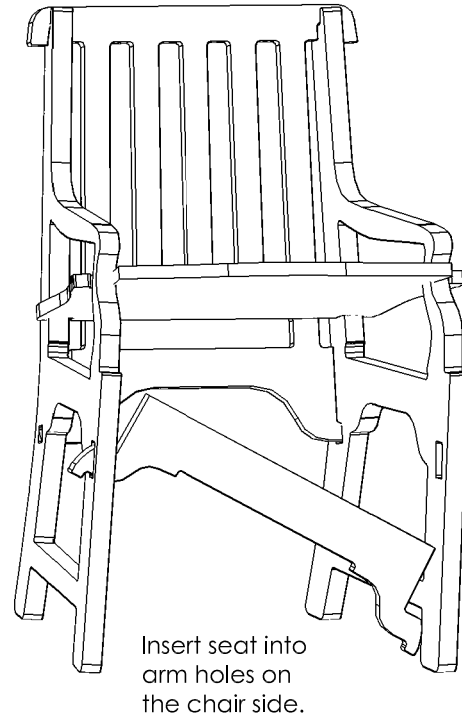


Step #1



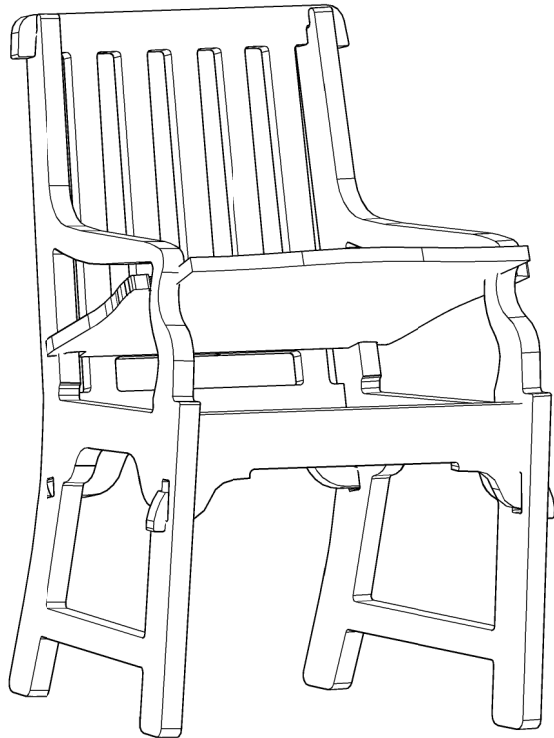
Hook chair
back onto legs

Step #2



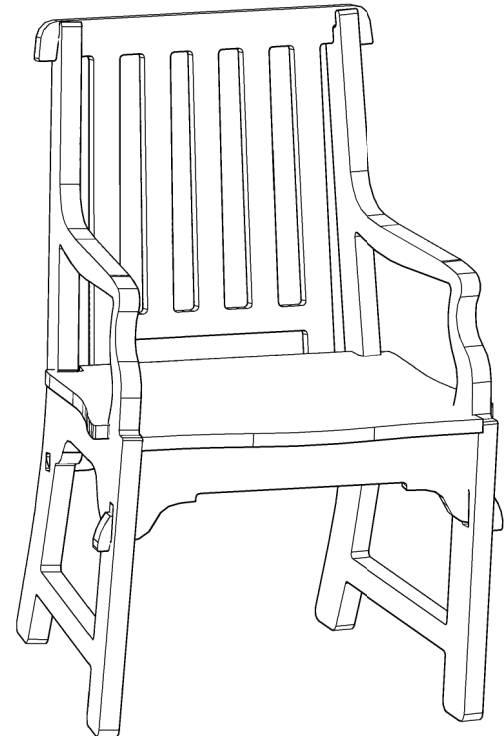
Insert seat into
arm holes on
the chair side.

Step #3



Insert front brace
into holes in the
legs. Keep the
seat raised to
allow the legs to
spread so the
brace will fit into
holes. After the
brace is in knock
the seat down
into place so it
fits snug into
place.

Step #4



PolyConcepts
LLC

Jefferson Garden Arm Chair

Questions Contact
419-678-3300 or
sales@polyconceptsllc.com

Package Contents

- * 1 Back
- * 2 legs
- * 1 Seat
- * 1 Brace