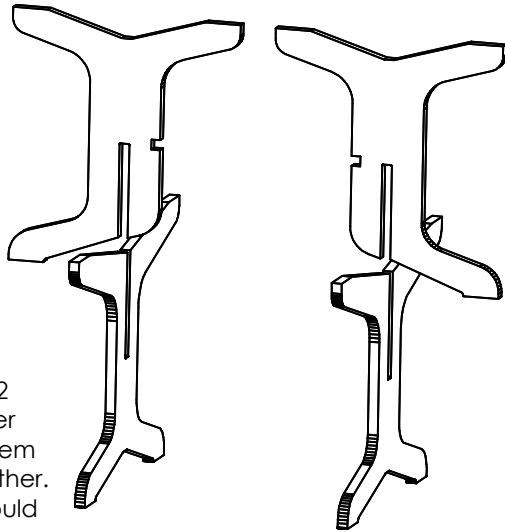
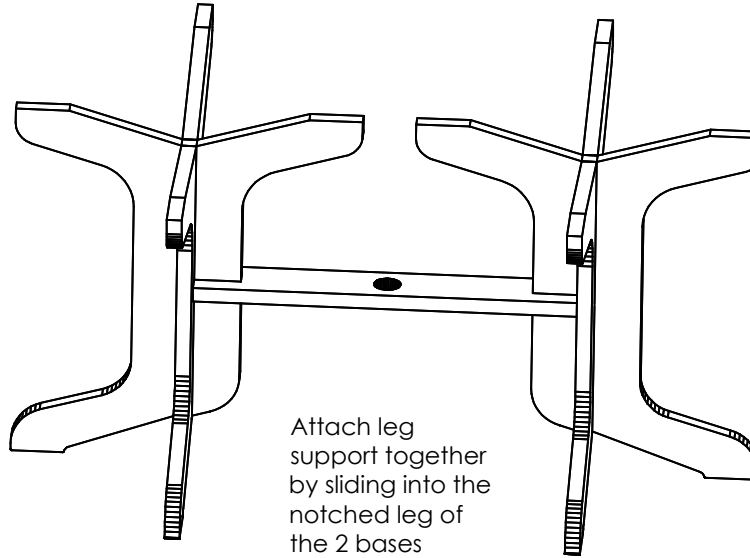


Step #1



Attach the 2 legs together by sliding them into each other. The legs should be notched on opposite sides

Step #2



Attach leg support together by sliding into the notched leg of the 2 bases

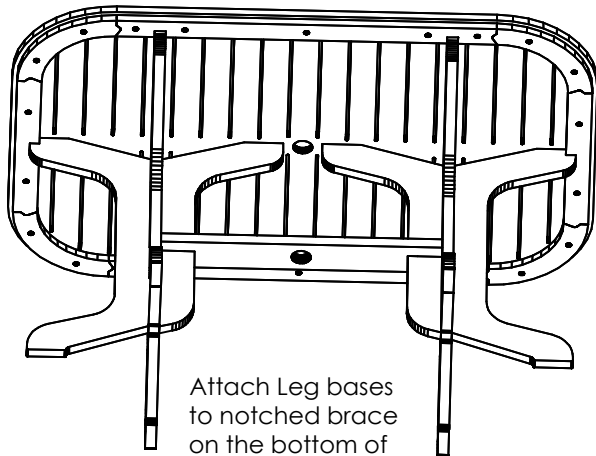


60 x 42 Table Assembly

Questions Contact
419-678-3300 or
sales@polyconceptsllc.com

- Package Contents
- * 1 top with brace attached
 - * 2 legs (A&B)
 - * Leg support brace
 - * Center Top Brace
 - * 8 S.S. #12 x 2 1/2"
 - Screws
 - * 1 - #3 drive bit
 - * 4 - 1-1/4" Screws

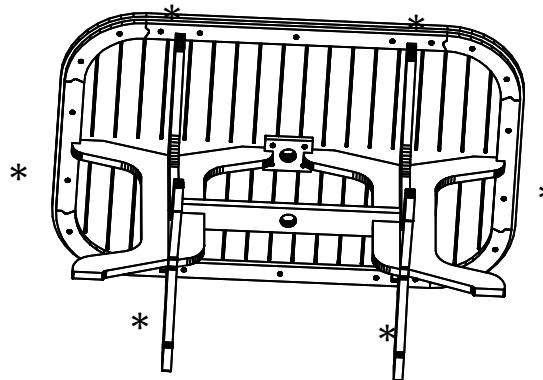
Step #3



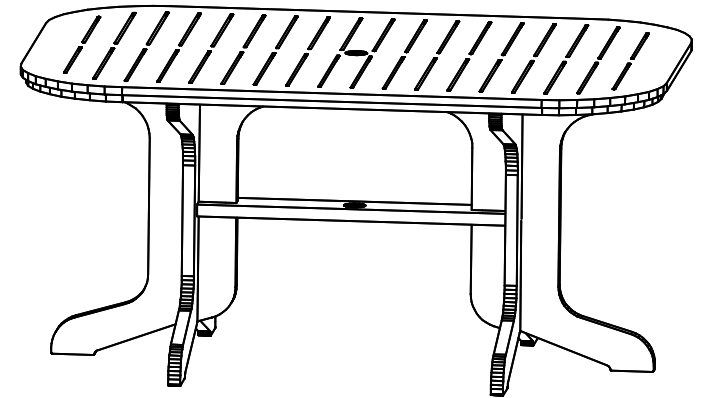
Attach Leg bases to notched brace on the bottom of the table top

Step #4

Attach small center support to the bottom of the table. Attach to predrilled holes using 1-1/4" screws.



*Attach 2-1/2" screws in 6 predrilled holes on edge of the top.



CAUTION: Do NOT place table top on a surface that is not protected. It can be scratched if it is not protected!!