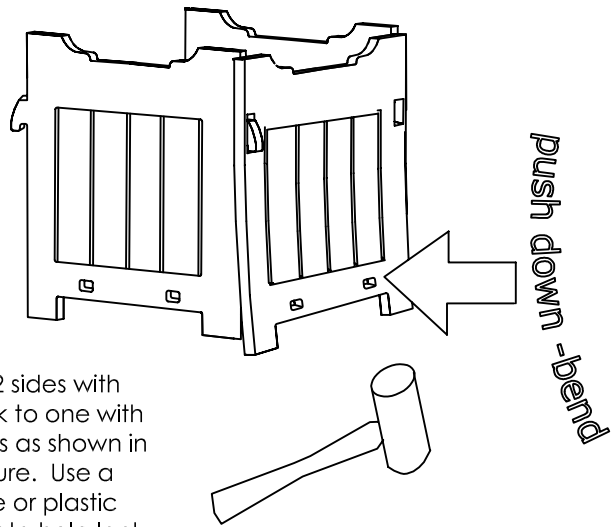
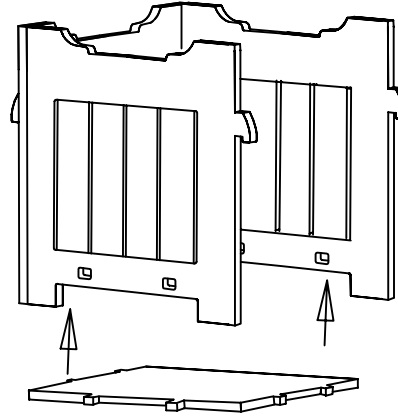


Step #1



Attach 2 sides with the hook to one with the holes as shown in the picture. Use a soft face or plastic hammer to help lock the pieces together

Step #2



After 3 sides are together insert the bottom into the holes at the bottom of the sides.

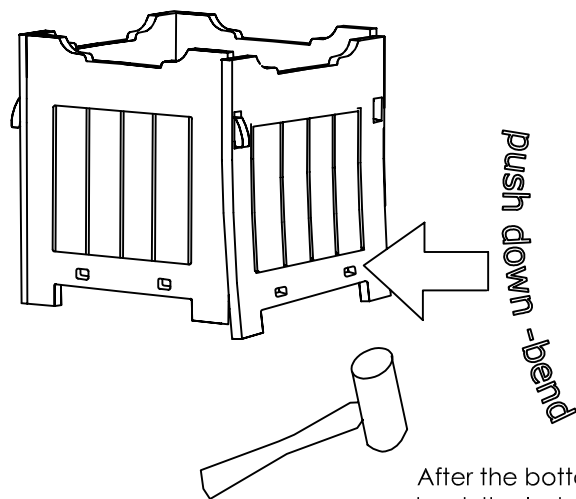
**Jefferson Planter
Assembly**

Questions Contact
419-678-3300 or
sales@polyconceptslc.com

Package Contents

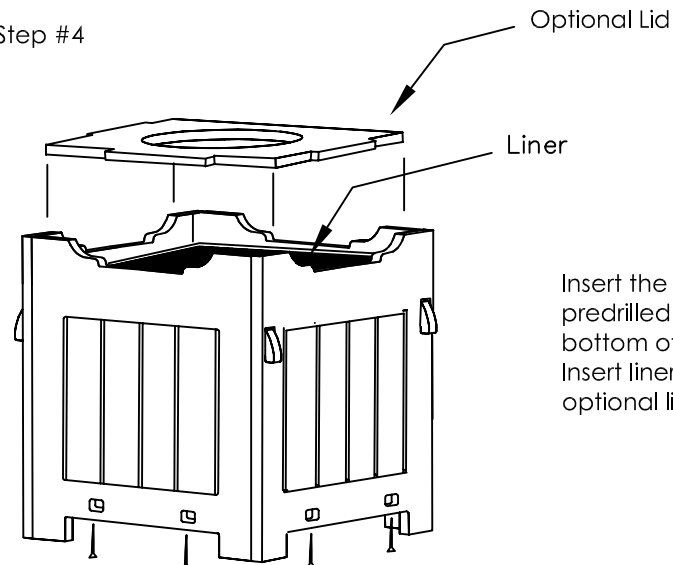
- * 2 sides w/ hooks
- * 2 sides w/ holes
- * 1 bottom
- * 1 Liner
- * 8 #10 x 1-1/2" ss screws
- * 1 - #2 drive bit

Step #3



After the bottom is in, hook the last side to the the 3 already together.

Step #4



Insert the screws in the predrilled holes in the bottom of the planter. Insert liner and optional lid.