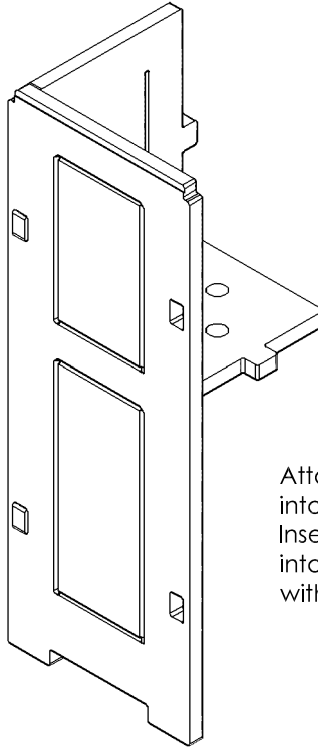


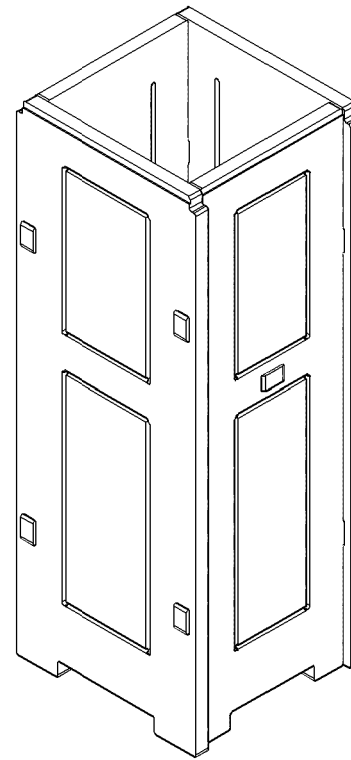
Step #1



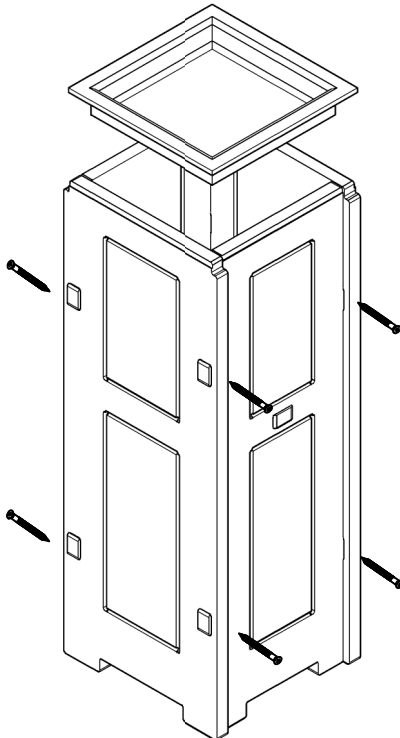
Attach side with tab into side with holes. Insert center support into hole on the side with tab.

Step #2

Attach other 2 sides to the sides assembled

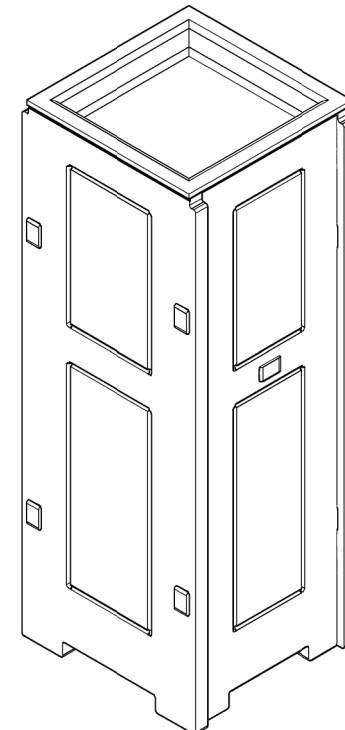


Step #3



Insert screws into predrilled holes. Attach tray to top of ash urn.

Step #4



PolyConcepts^{llc}

Jefferson Ash Urn Assembly

Questions Contact
419-678-3300 or
sales@polyconceptsllc.com

Package Contents

- * 2 Sides w/ tabs
- * 2 Sides w/ holes
- * 1 Center Brace
- * 1 Tray
- * 8 S.S. #7 x 2-1/4" Screws
- * 1 - #1 drive bit