

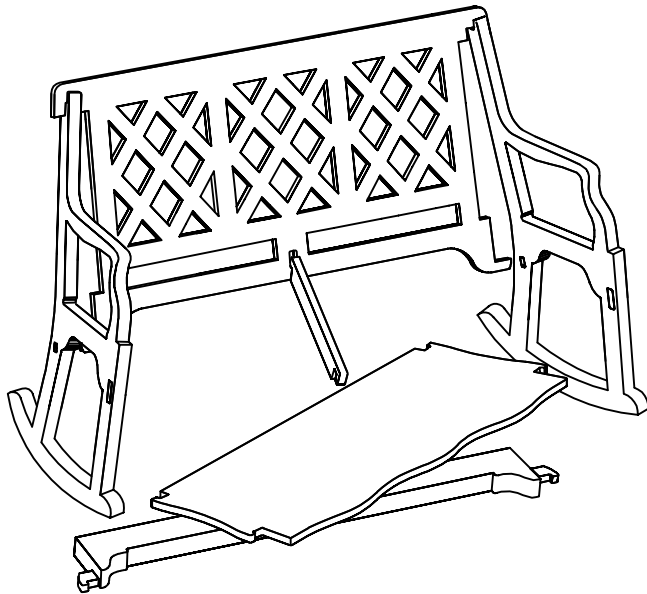
**Jefferson 48"  
Bench Rocker  
Assembly**

Questions Contact  
419-678-3300 or  
sales@polyconceptsllc.com

Package Contents

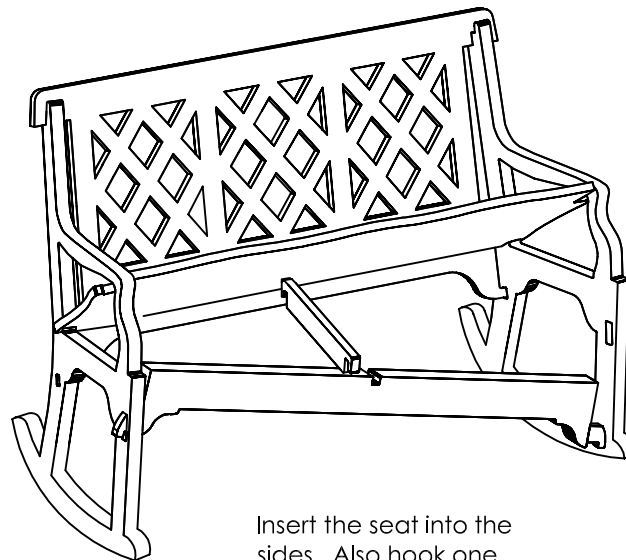
- \* 2 legs
- \* 1 seat
- \* 1 back
- \* 1 front brace
- \* 1 center brace

Step #1



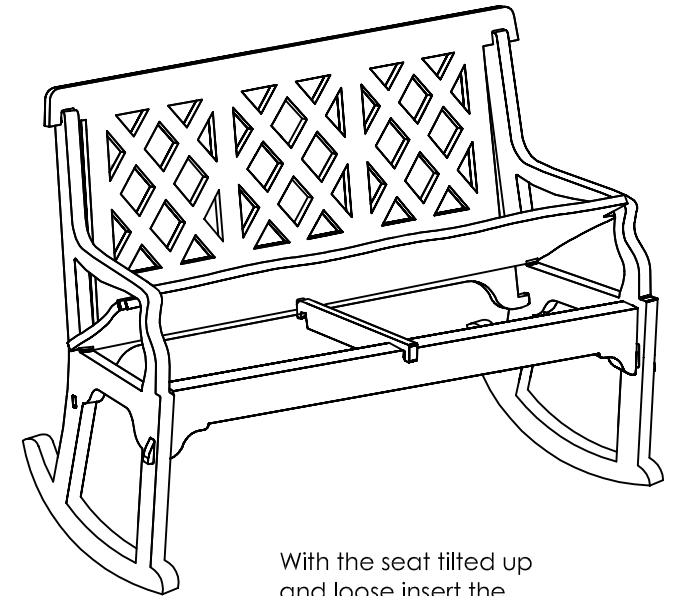
Attach the back to the legs. Insert the small center brace into the hole in the back. The hook with the angle goes into the back.

Step #2



Insert the seat into the sides. Also hook one side of the front brace into the hole on the side. Attach the center brace to the front brace.

Step #3



With the seat tilted up and loose insert the last side of the front brace into the hole in the side. Next snap the seat down snug into place.