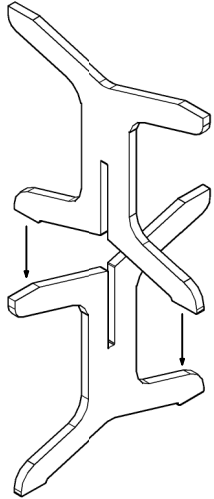
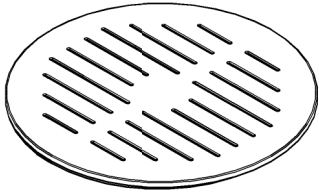
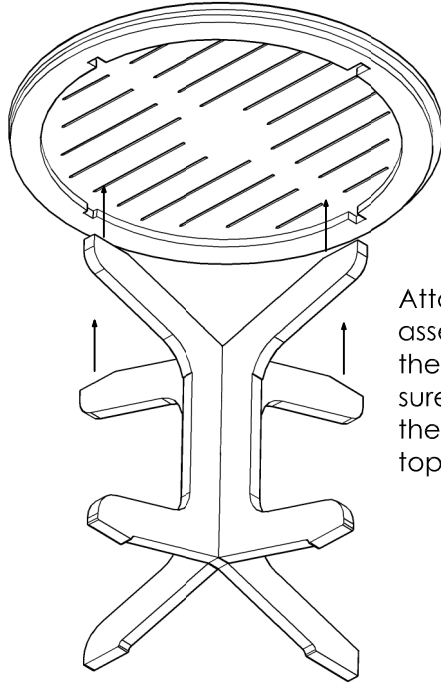


Step #1



Attach the 2 legs together by sliding them into each other. The legs should be notched on opposite sides

Step #2



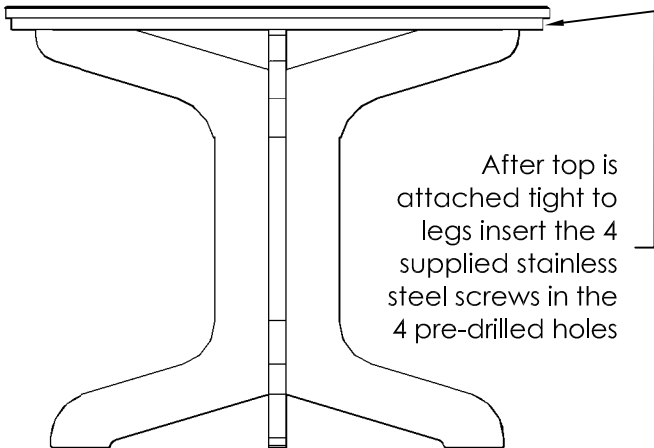
Attach the assembled legs to the top making sure the legs fit into the notches on the top brace.

PolyConcepts
LLC

Pedestal Table Assembly
Questions Contact 419-678-3300
or sales@polyconceptslc.com

- Package Contents
- * 1 top with brace attached
 - * 2 legs (A&B)
 - * 4 S.S. #12 x 2½" Screws
 - * 1 - #3 drive bit

Step #3



After top is attached tight to legs insert the 4 supplied stainless steel screws in the 4 pre-drilled holes

