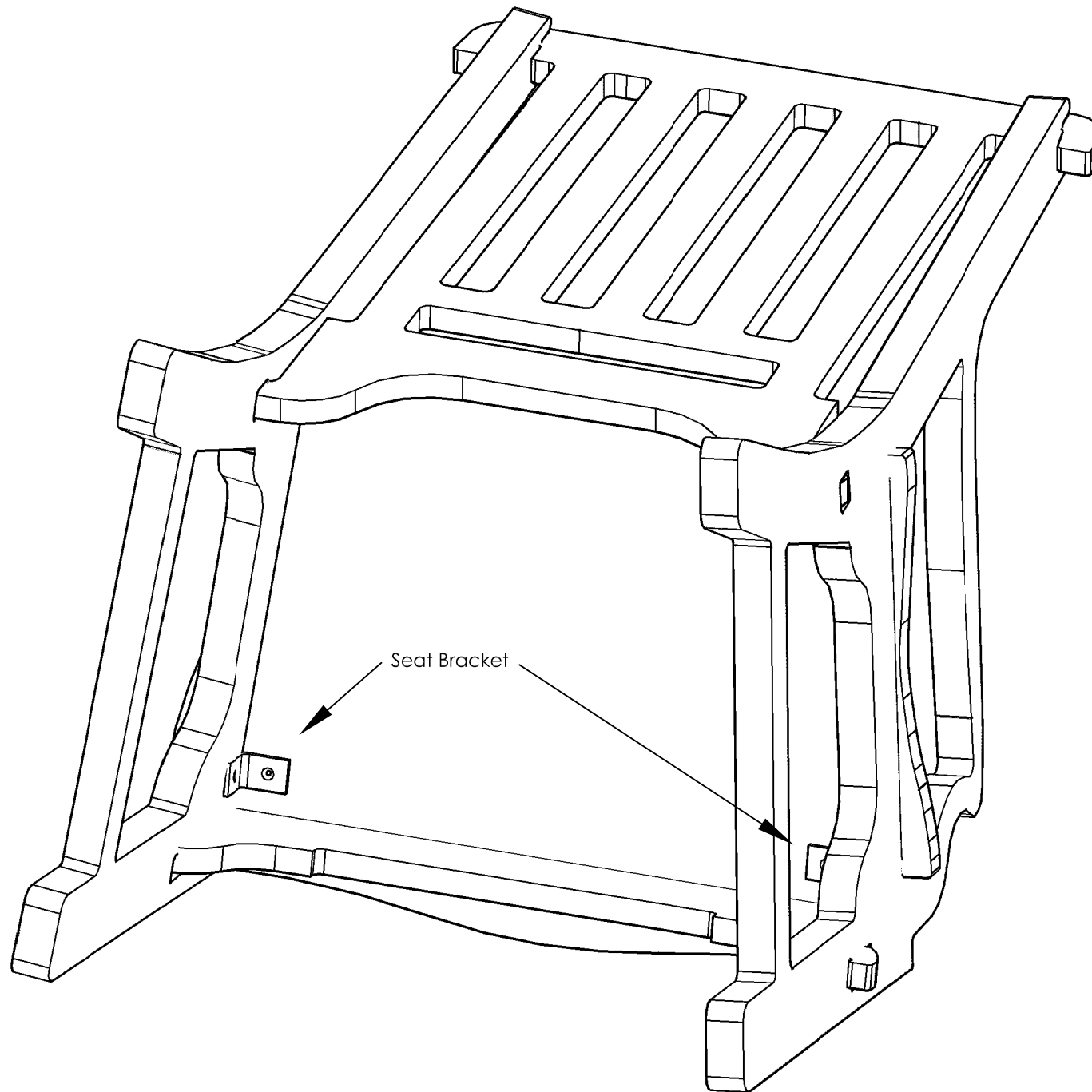


Seat Lock Assembly

Questions Contact
419-678-3300 or
sales@polyconceptsllc.com

Package Contents
* 2 Seat Locking Brackets
* 4 #10 x 3/4" Flat head
Screws



- 1) Assemble chair so that pre drilled holes in sides are under chair.
- 2) Pre drilled holes in the seat are to be to the bottom of the chair
- 3) Align seat lock bracket with predrilled holes in seat and side
- 4) Install provided security screws into bracket
- 5) 2 Brackets per chair